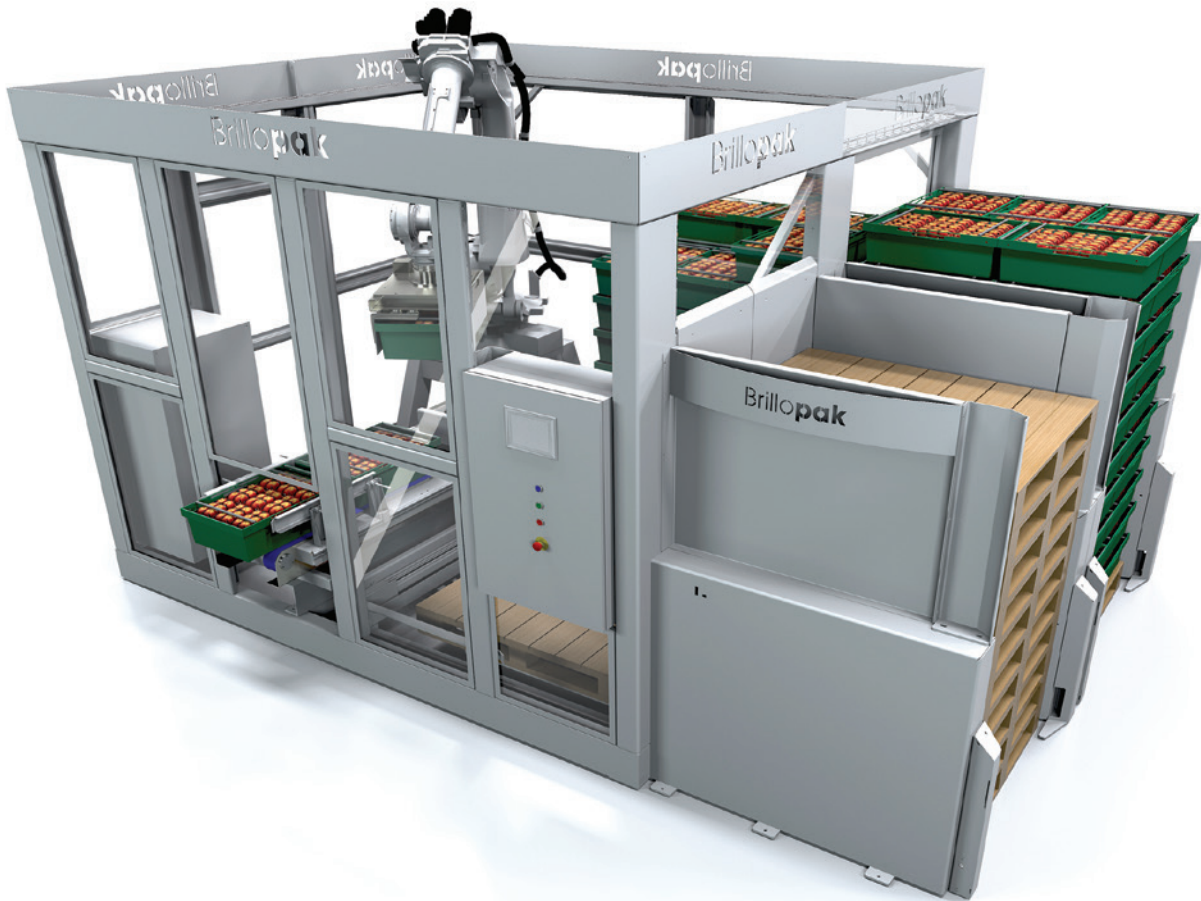


COMPACT C2 KT1200 Integrated Robot Palletiser

Brillopak
INNOVATIVE AUTOMATION

Designed for 24/7 operation this machine dispenses pallets and accumulates a loaded pallet stack outside the cell. Can be floor loading or over conveyor.



FAST, ROBUST AND FLEXIBLE:

UP TO 30 CASES
OR CRATES PER
MINUTE

SMALL
FOOTPRINT

ENHANCED
SAFETY
FEATURES

IDEAL FOR
HAND TRUCK
ENVIRONMENTS

Additional Benefits:

- Specialist Brillopak robot heads. Run multiple products with no tooling changeover.
- No manual heavy lifting.
- System automatically lifts pallet stacks from floor and places loaded pallet stack onto floor for use with hand trucks.
- Simple to operate by unskilled staff.
- Entire system built and fully tested in our factory. Delivered in 2 pieces for very fast commissioning on site.

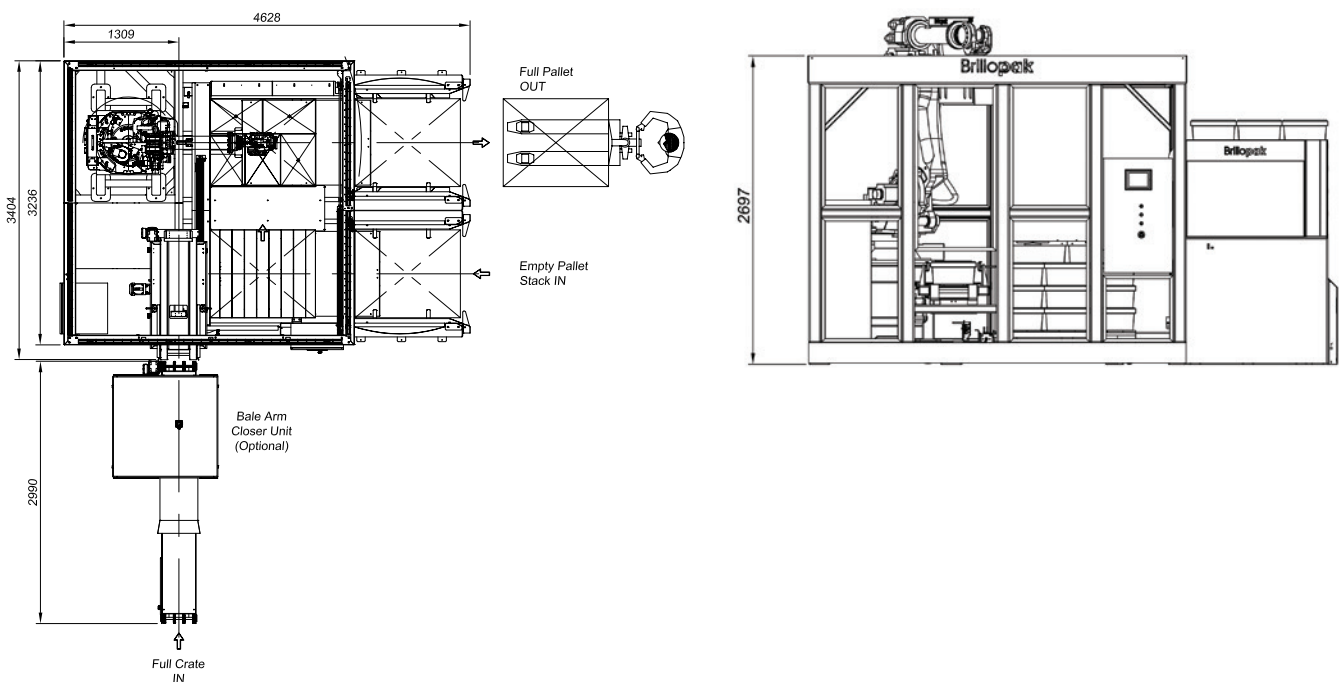
Brillopak specialist end effectors

Brillopak has been designing robot heads for end users and system integrators for over 10 years. This experience has led to the development of 3 specialist heads with the flexibility to handle multiple applications. The adjustable servo Clamp head will handle multiple box and tray sizes, the Gripperhead is adjustable to multiple bag sizes and the Vacuum head handles bags boxes and products.

Technical Data

Speed	Up to 15 cycles per minute dependent on product.
Dimensions:	4628mm x 3404mm including pallet dispenser and accumulation.
Compressed air at 6 bar min.	Nachi SRA 100/160 4-6 axis.
Head:	Adjustable force and closing speed, food grade materials.
Frame:	Mild steel manufacture with plexiglass or mesh safety panels.
HMI:	Omron HMI touch screen control panel. Nachi Pendant.
Geared 3ph drives:	SEW Eurodrive.
Servo Motors:	Nachi.
Enclosure/Motor Specification:	Minimum IP55 dust, splash proof.
Electrical & Pneumatic Components:	ISO/DIN standard.
Pneumatic supply:	Compressed air at 6 bar min.
Electrical:	3ph+N+E x 400/440 Vac, 50 Hz, 32amp supply.
Control Circuit:	24v DC
CE Marking:	Certificate of incorporation included.

Dimensions



MADE IN BRITAIN 